

Plastic square shape inductive sensors **LE80XZ** series

Features

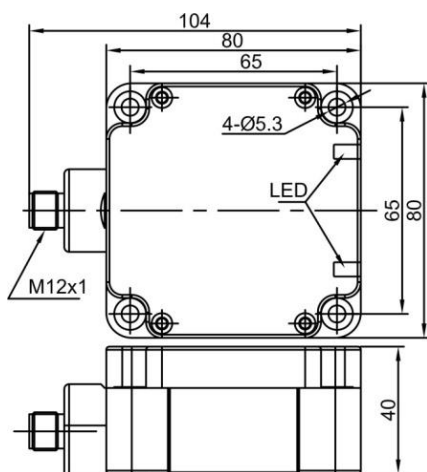
- ◆ Extended sensing distance;
- ◆ ASIC design, safe and reliable;
- ◆ Perfect choice for metallic target detection;


Part number

NPN NO	LE80XZSF50DNOY-E2	LE80XZSN70DNOY-E2	PNP NO	LE80XZSF50DPOY-E2	LE80XZSN70DPOY-E2
NPN NC	LE80XZSF50DNCY-E2	LE80XZSN70DNCY-E2	PNP NC	LE80XZSF50DPCY-E2	LE80XZSN70DPCY-E2
NPN NO+NC	LE80XZSF50DNRY-E2	LE80XZSN70DNRY-E2	PNP NO+NC	LE80XZSF50DPRY-E2	LE80XZSN70DPRY-E2

Technical specifications

Mounting	Quasi -flush	Non-flush	Current consumption	≤10mA	
Rated distance [Sn]	50mm	70mm	Circuit protection	Short-circuit, overload, and reverse polarity	
Assured distance [Sa]	0...40mm	0...56mm	Indicator	Yellow LED	
Dimensions	40mm *80mm*104mm		Ambient temperature	-25°C...70°C	
Output	NO/NC(depends on part number)		Ambient humidity	35-95%RH	
Supply voltage	10...30 VDC		Switching frequency [F]	50 Hz	30 Hz
Standard target	Fe 150*150*1t	Fe 210*210*1t	Voltage withstand	1000V/AC 50/60Hz 60S	
Switch-point drifts[%/Sr]	≤±10%		Insulation resistance	≥50MΩ (500VDC)	
Hysteresis range [%/Sr]	1...20%		Vibration resistance	10...50Hz (1.5mm)	
Repeat accuracy [R]	≤3%		Degree of protection	IP67	
Load current	≤200mA		Housing material	PBT	
Residual voltage	≤2.5V		Connection type	M12 connector	

Dimensions

Wiring diagram
